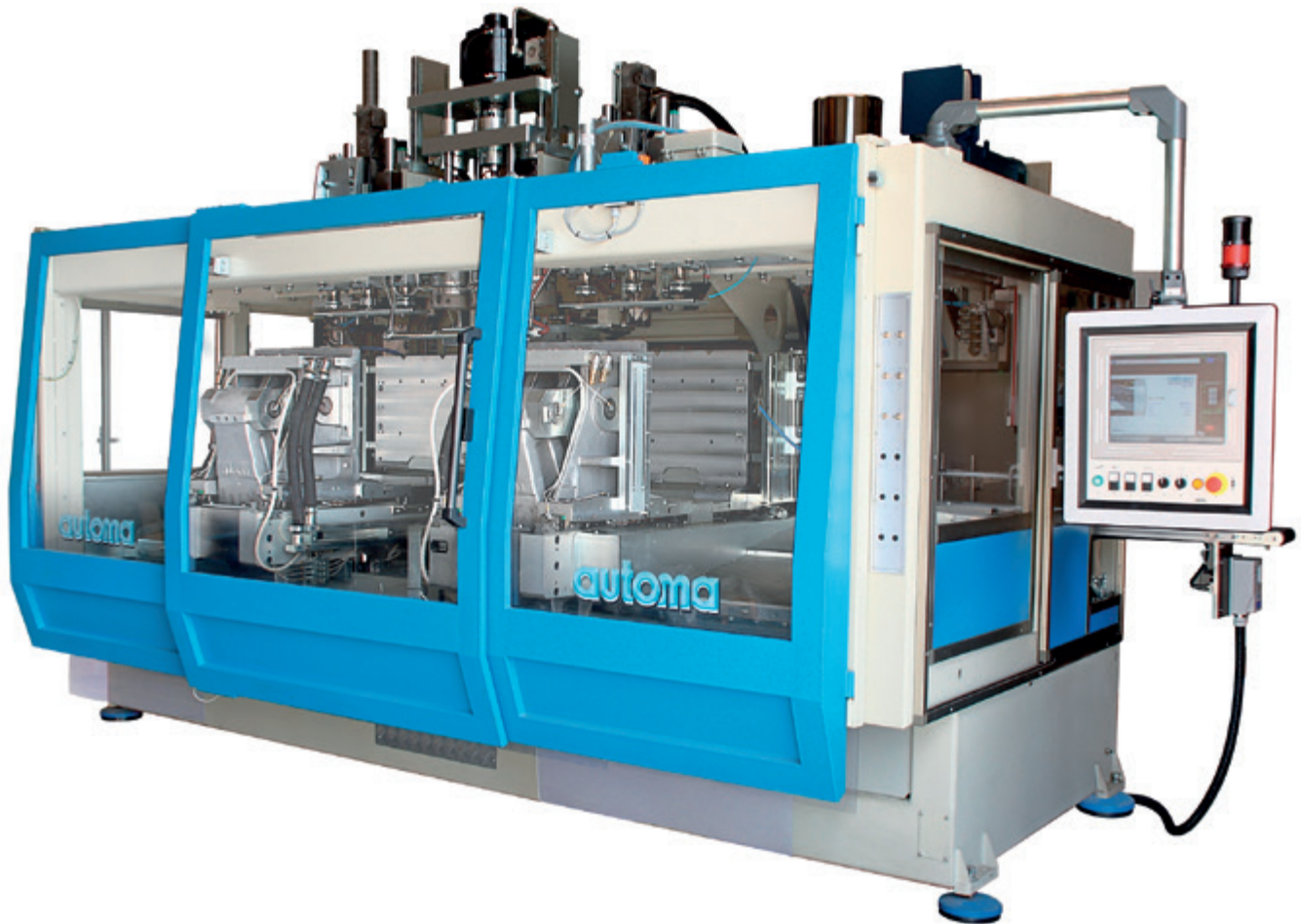


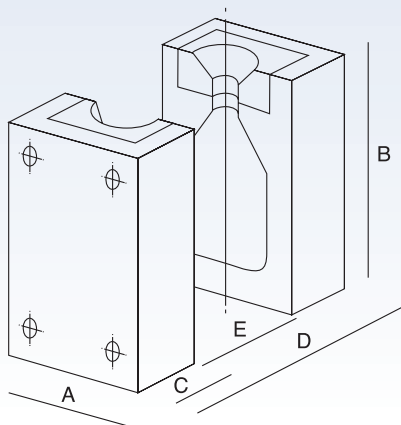
## Continuous Extrusion Shuttle Blow Molding Machine

For Production of Plastic Containers



## General Specifications

	US						Metric						
Carriage Horizontal Shuttle Stroke	28 inches						700 mm						
Dry Cycle	3s						3s						
Clamp Force	29 US tons						240 kN						
Air Pressure	87 -116 psi						6 - 8 bar						
Air Consumption (Estimated)	106 cfm						3000 lt/min						
Hydraulic Cooling Capacity	47,587 btu/hr						12,000 kcal/hr						
Mold Cooling Capacity	674 btu/hr (HDPE)						170 kcal/hr (HDPE)						
Water Cooling Pressure (Min)	44 psi						3 bar						
Pump Motor Power	40 hp						30 kW						
Total Power Installed (Estimated)	235 kW						235 kW						
Dimensions	197 x 236 x 150 inches						5000 x 6000 x 3800 mm						
Total Weight	46,297 lbs						21,000 kg						
<b>Production Possibilities</b>													
CAVITIES	1	2	3	4	5	6	1	2	3	4	5	6	
Max Center	-	13 inches	9 inches	6 inches	5 inches	4 inches	-	320 mm	215 mm	160 mm	130 mm	110 mm	
Max Container Width	13 inches	11 inches	7 inches	6 inches	4 inches	3.7 inches	340 mm	290 mm	190 mm	145 mm	115 mm	95 mm	
Max Container Height	17 inches	17 inches	14 inches	14 inches	14 inches	14 inches	420 mm	420 mm	350 mm	350 mm	350 mm	350 mm	
Max Container Depth	11 inches	-	-	-	-	-	285 mm	-	-	-	-	-	
Container Capacity Approx	5 gals	3 gals	1 gals	.5 gals	.4 gals	.26 gals	20 L	10 L	5 L	2 L	1.5 L	1 L	
CAVITIES	8		10			12		8		10		12	
Max Center	3 inches		2.6 inches			2.6 inches		80 mm		65 mm		65 mm	
Max Container Width	2.8 inches		2 inches			1.6 inches		70 mm		50 mm		40 mm	
Max Container Height	10 inches		8 inches			6 inches		250 mm		200 mm		160 mm	
Max Container Depth	-		-			-		-		-		-	
Container Capacity Approx	.13 gals		.09 gals			.07 gals		.5 L		.33 L		.25 L	
<b>Extruders</b>	<b>100/24D</b>	<b>110/24D</b>	<b>110/25D WT</b>	<b>120/24D</b>	<b>100/24D</b>	<b>110/24D</b>	<b>110/25D WT</b>	<b>120/24D</b>	<b>100/24D</b>	<b>110/24D</b>	<b>110/25D WT</b>	<b>120/24D</b>	
Screw Diameter	4 inches	4.3 inches	4.3 inches	4.7 inches	100 mm	110 mm	110 mm	120 mm	100 mm	110 mm	110 mm	120 mm	
Extruder Motor Power	121 hp	148 hp	153 hp	181 hp	90 kW	110 kW	114 kW	135 kW	90 kW	110 kW	114 kW	135 kW	
Max Throughput = PE	573 lbs/hr	661 lbs/hr	705 lbs/hr	882 lbs/hr	260 kg/hr	300 kg/hr	320 kg/hr	400 kg/hr	260 kg/hr	300 kg/hr	320 kg/hr	400 kg/hr	
Max Throughput = PP	397 lbs/hr	573 lbs/hr	573 lbs/hr	661 lbs/hr	180 kg/hr	260 kg/hr	260 kg/hr	300 kg/hr	180 kg/hr	260 kg/hr	260 kg/hr	300 kg/hr	
Heating Power	32.4 kW	32.5 kW	37.6 kW	43.7 kW	32.4 kW	32.5 kW	37.6 kW	43.7 kW	32.4 kW	32.5 kW	37.6 kW	43.7 kW	
<b>Clamping</b>													
Max Width (A)	27 inches						695 mm						
Min Length (B)	22 inches						560 mm						
Minimum Depth (C)	8 inches						200 mm						
Clamp Open Max Daylight (D)	28 inches						700 mm						
Open Stroke (E)	12 inches						300 mm						
Mold Weight Max	1102 lbs						500 kg						



# Jomar<sup>®</sup>

Exclusive North American Distributor  
of Automa EBM Machines

**automa** by **magic**

115 East Parkway Drive  
Egg Harbor Township, NJ 08234 USA  
1-609-646-8000  
jomarcorp.com  
sales@jomarcorp.com