

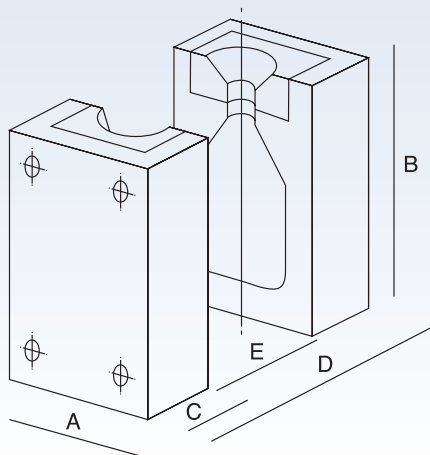
Continuous Extrusion Shuttle Blow Molding Machine

For Production of Plastic Containers



General Specifications

	US						Metric					
Carriage Horizontal Shuttle Stroke	19 inches						480 mm					
Dry Cycle	2.200s						2.200s					
Clamp Force	11/18 US tons						100/160 kN					
Air Pressure	87 -116 psi						6 - 8 bar					
Air Consumption (Estimated)	71 cfm						2000 lt/min					
Hydraulic Cooling Capacity	29,742 btu/hr						7500 kcal/hr					
Mold Cooling Capacity	674 btu/hr (HDPE)						170 kcal/hr (HDPE)					
Water Cooling Pressure (Min)	44 psi						3 bar					
Pump Motor Power	25 hp						18.5 kW					
Total Power Installed (Estimated)	115 kW						115 kW					
Dimensions	138 x 189 x 126 inches						3500 x 4800 x 3200 mm					
Total Weight	28,665 lbs						13,000 kg					
Production Possibilities												
CAVITIES	1	2	3	4	5	6	1	2	3	4	5	6
Max Center	-	8 inches	6 inches	4 inches	3 inches	2.8 inches	-	200 mm	140 mm	100 mm	80 mm	70 mm
Max Container Width	11 inches	7 inches	5 inches	3 inches	2.6 inches	2.2 inches	290 mm	180 mm	125 mm	85 mm	65 mm	55 mm
Max Container Height	15 inches	14 inches	12 inches	12 inches	10 inches	10 inches	375 mm	350 mm	300 mm	300 mm	250 mm	250 mm
Max Container Depth	8 inches	-	-	-	-	-	200 mm	-	-	-	-	-
Container Capacity Approx	1.6 gals	.8 gals	.3 gals	.3 gals	.2 gals	.1 gals	6 L	3 L	1 L	1 L	.5 L	.33 L
Extruders			90/24D			90/24D WT			90/24D		90/25D WT	
Screw Diameter			3.5 inches			3.5 inches			90 mm		90 mm	
Extruder Motor Power			87 hp			88 hp			65 kW		66 kW	
Max Throughput = PE			441 lbs/hr			485 lbs/hr			200 kg/hr		220 kg/hr	
Max Throughput = PP			309 lbs/hr			441 lbs/hr			140 kg/hr		200 kg/hr	
Heating Power			18.5 kW			22.6 kW			18.5 kW		22.6 kW	
Clamping												
Max Width (A)	19 inches						475 mm					
Min Length (B)	18 inches						460 mm					
Minimum Depth (C)	7 inches						170 mm					
Clamp Open Max Daylight (D)	22 inches						560 mm					
Open Stroke (E)	9 inches						220 mm					
Mold Weight Max	662 lbs						300 kg					



Jomar[®]

Exclusive North American Distributor
of Automa EBM Machines

automa by **magic**

115 East Parkway Drive
Egg Harbor Township, NJ 08234 USA
1-609-646-8000
jomarcorp.com
sales@jomarcorp.com